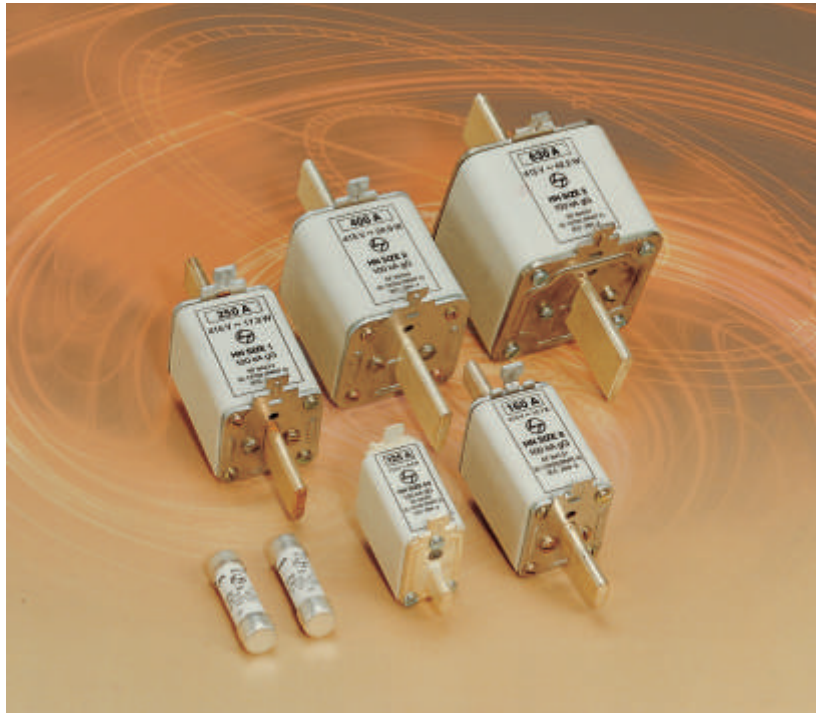




Energy Saving HRC Fuse-Links

Blade Type HN 63 A - 800 A
Cylindrical Type HF 2 A - 63 A

L&T, India's largest manufacturer of low tension switchgear, offers the new generation of low watt loss HRC fuse-links type HN & HF designed as per the new IS 13703 / IEC 60269 standards.



Features and Benefits

- High breaking capacity : 100 kA for HN Type and 80 kA for HF Type
- Unique offerings : - 63A Cylindrical Fuse
- 125A in Size000
- Fuse blown indication : Through a red pop-up indicator
- Low let through energy
- Low watt loss : Lower power loss, gives you
 - Power Saving
 - Cooler running of associated products like SDFs
- Conform to IS 13703 (Part 2) / IEC 60269-2

New standard - means More Advantages

IS 13703 / IEC 60269 new standard for HRC fuses supercedes IS 9224.

HN & HF Fuse-Links conform to the new standard and offers following advantages :


- Low watt loss
- Non deterioration of fuse-links
- Proper protection to cables
- Complete discrimination

Technical data - Type HF & HN

Selection Chart for Cylindrical Type Fuse-Links - HF

♦ Rated voltage : 415 V ♦ Rated breaking capacity : 80 kA at 415 V


Rating (A)	Cat. Nos.	Suitable for S-D-F Units type FN / FNX or Equivalent
2	SF90144	32, 63
4	SF90145	32, 63
6	SF90146	32, 63
8	SF90147	32, 63
10	SF90148	32, 63
16	SF90150	32, 63
20	SF90151	32, 63
25	SF90152	32, 63
32	SF90142	32, 63
40	SF90143	63
50	SF90158	63
63	SF90159	63



Selection Chart for Blade Type Fuse-Links - HN

♦ Rated voltage : 415 V ♦ Rated breaking capacity : 100 kA at 415 V

Size of the fuse link	Rating	Cat. Nos.	Rated watt loss	Watt loss limits as per IS 13703	Suitable for S-D-F units type FN / FNX or Equivalent
Size 000	63 A	SF94940	5.3	100 Amp, Fuse-7.5 W	100, 125, 160
	80 A	SF94941	6.2		100, 125, 160
	100 A	SF94942	7		100, 125, 160
	125 A	SF94946	8.5		100, 125, 160
Size 00	63 A	SF94027	5.7	100 Amp, Fuse-7.5 W	100, 125, 160
	80 A	SF94028	6.9		100, 125, 160
	100 A	SF94029	7.5		100, 125, 160
	125 A	SF94030	9.8		125, 160
	160 A	SF94939	12		160
Size 0	80 A	SF94128	8.3	160 Amp, Fuse-16 W	200
	100 A	SF94129	9.1		200
	125 A	SF94130	11.3		200
	160 A	SF94131	12.7		200
	200 A	SF94132	14.5		200
Size 1	125 A	SF94230	10.3	250 Amp, Fuse-23 W	250, 315
	160 A	SF94231	12.3		250, 315
	200 A	SF94232	14.3		250, 315
	250 A	SF94233	17.3		250, 315
	315 A	SF94234	25.5		315
Size 2	200 A	SF94332	14.1	400 Amp, Fuse-34 W	400
	250 A	SF94333	16.9		400
	315 A	SF94334	20.2		400
	400 A	SF94335	24.9		400
Size 3	315 A	SF94434	20.5	630 Amp, Fuse-48 W	630, 800
	400 A	SF94435	26.7		630, 800
	500 A	SF94436	36.1		630, 800
	630 A	SF94437	42.2		630, 800
	800 A	SF94938	48		800



Guidelines for selection

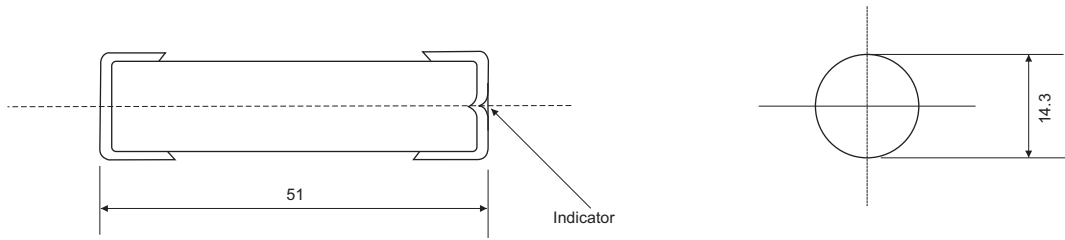
While selecting fuse-links, the following points should be considered :

- Fuse-links type HF & HN are suitable for system voltage up to 415 V

- Select the suitable size and rating of fuse-link for switch-disconnector fuse unit as per the fuse selection chart
- Ensure that the breaking capacity of the fuse link is higher than the prospective fault current
- Fuses should be selected such that discrimination is achieved with other protective devices in the system

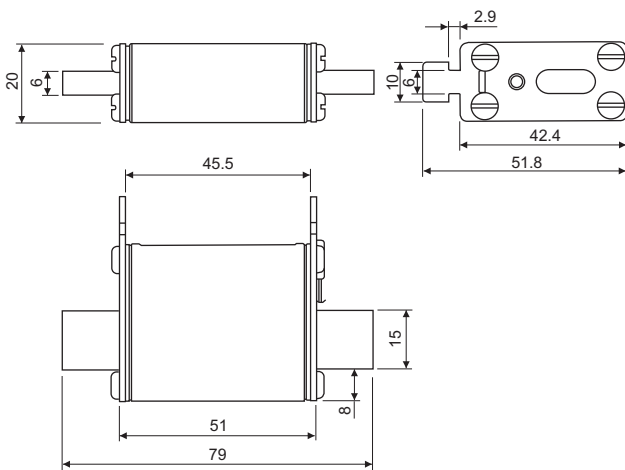
Overall Dimensions

HF Fuse-link

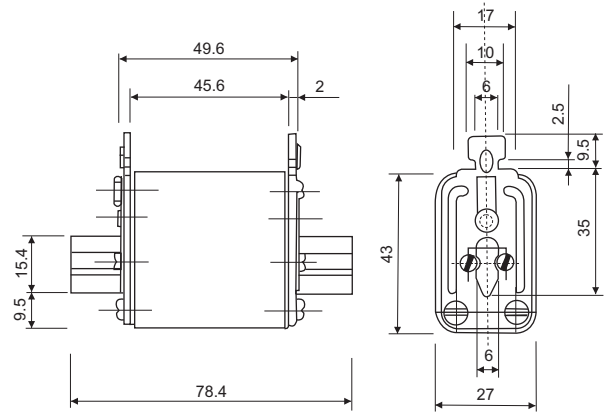


HN Fuse-link

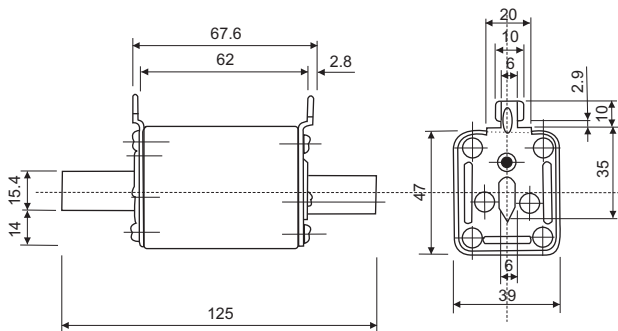
Size 000



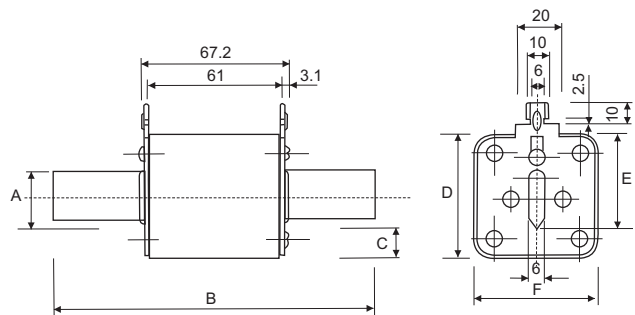
Size 00



Size 0





Size 1 / 2 / 3



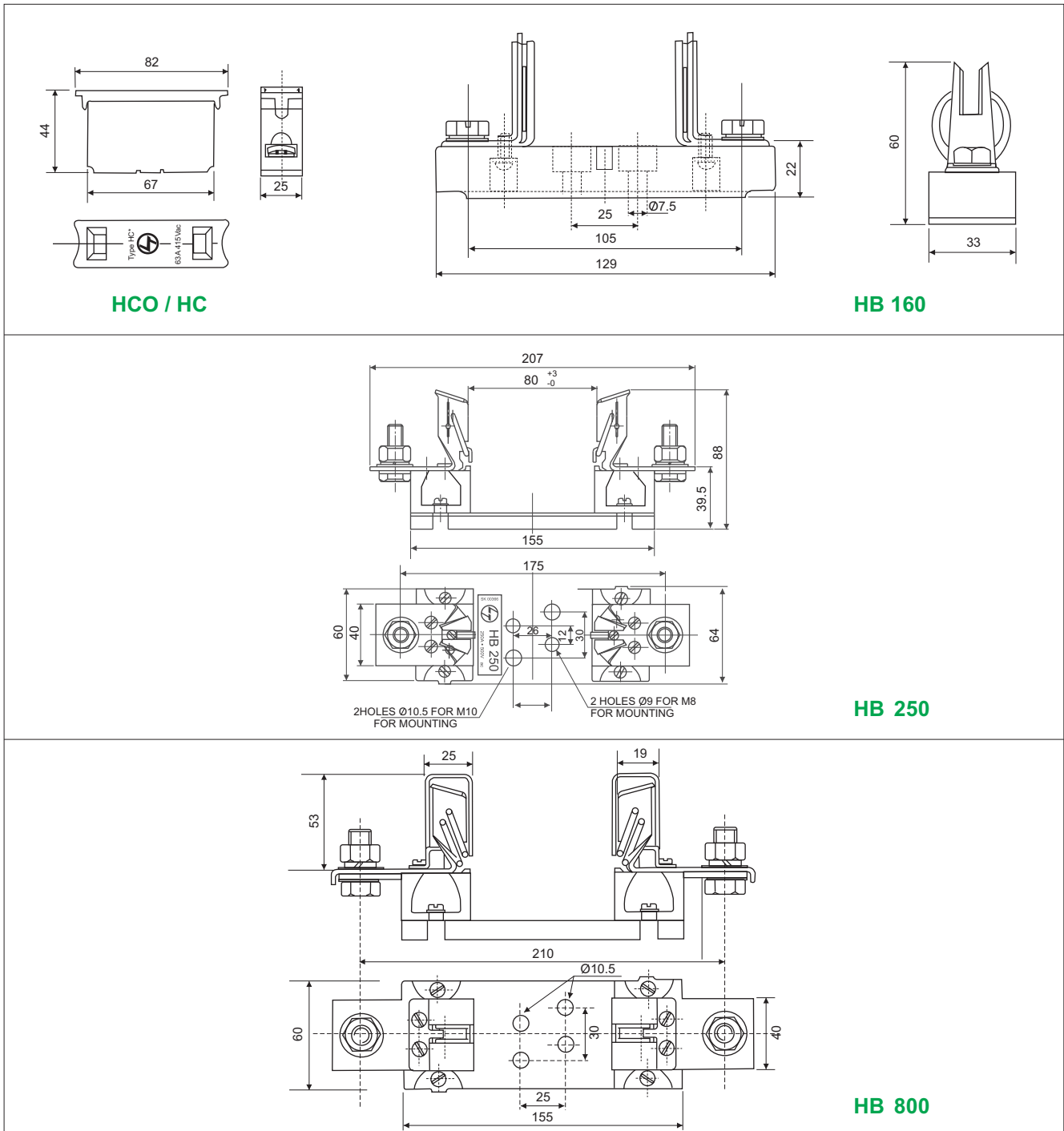
Type	A	B	C	D	E	F
Size 1	20.4	135	11.0	46	40	46
Size 2	25.4	150	14.0	59	48	59
Size 3	32.4	150	17.5	73	60	73

All dimensions are in mm

Fuse Base

Fuse bases suitable for cylindrical contact caps	Type	Suitable Fuse Type	Cat. No.	
	HC	HF 2-63	SK91043	
	HCO	HF 2-32	SK91314	
	Fuse Pulling Handle	HF 2-63	SK91185	
Fuse bases suitable for blade contacts	HB 160 Single Pole Fuse Base	HN size 00	SK90405	
	HB 250 Single Pole Fuse Base	HN size 0 & 1	SK90406	
	HB 800 Single Pole Fuse Base	HN size 2 & 3	SK91051	
	Fuse Pulling Handle	HN 63-800	SK90126	

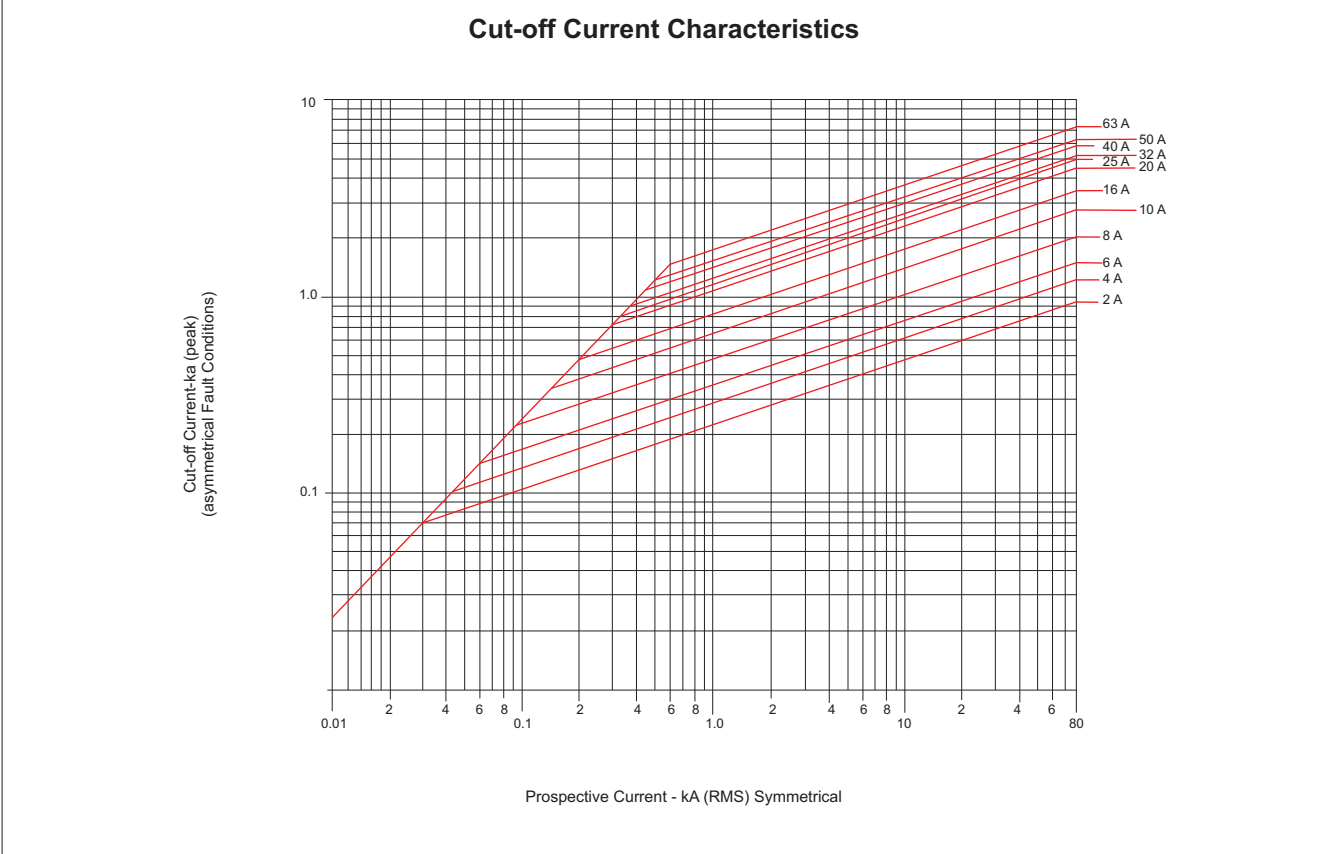
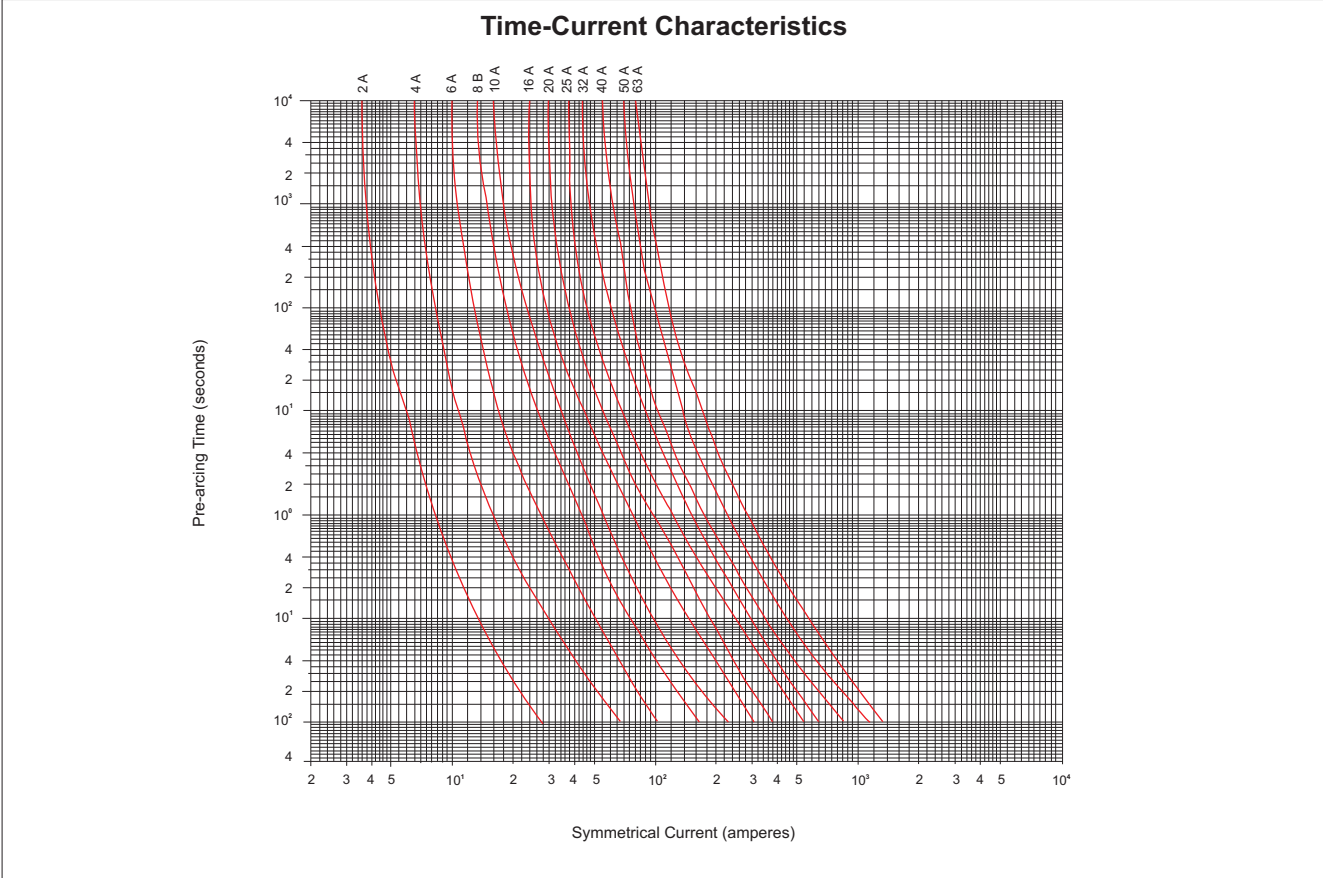
Overall Dimensions



All dimensions are in mm

Characteristics Curve

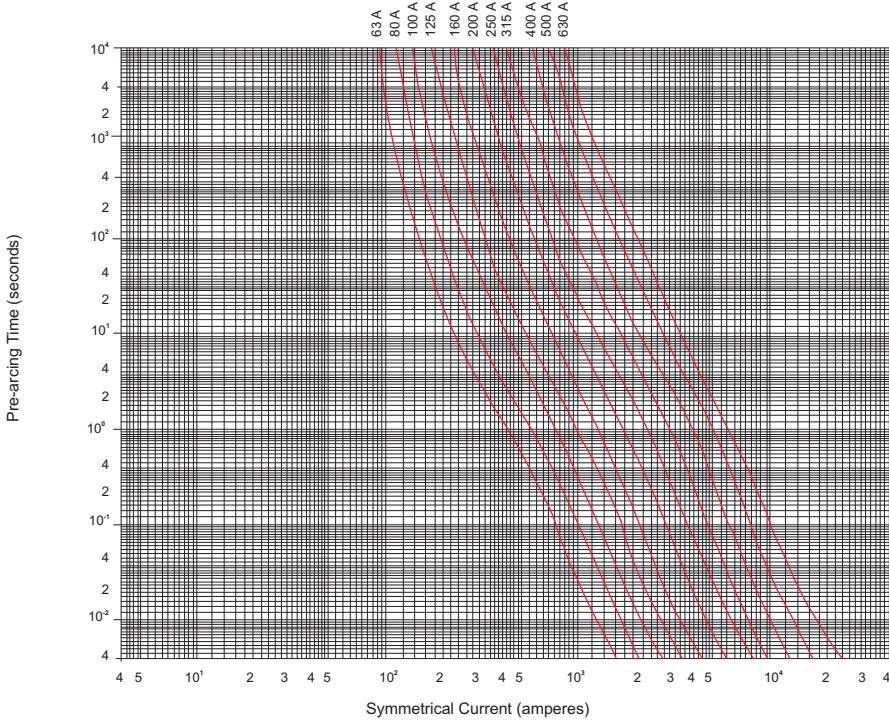
HRC Fuse-links Type HF



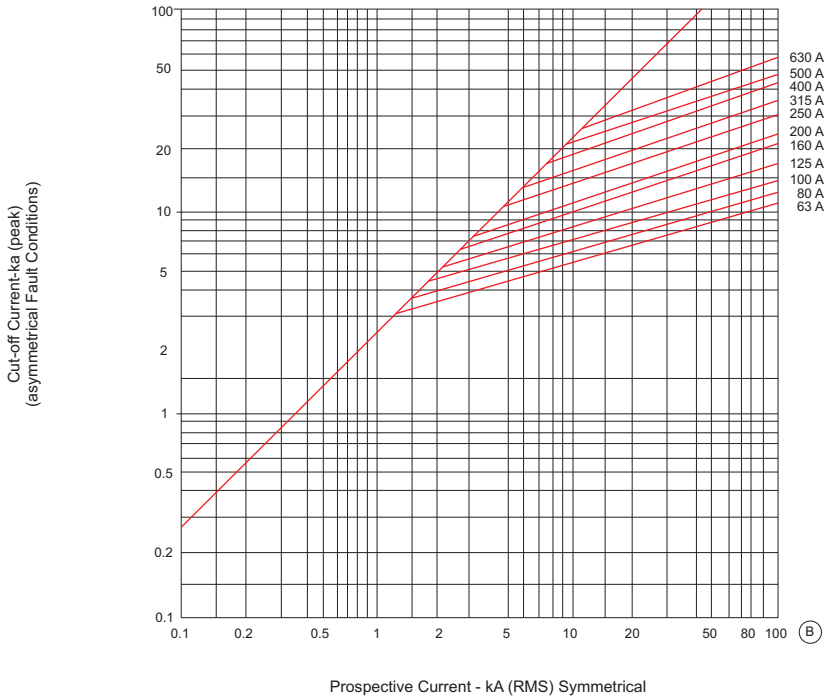
Characteristics Curve

HRC Fuse-links Type HN

Time-Current Characteristics



Cut-off Current Characteristics



Electrical Standard Products (ESP) Branch Offices:

REGISTERED OFFICE AND HEAD OFFICE

L&T House, Ballard Estate
P. O. Box 278
Mumbai 400 001
Tel: 022-6752 5656
Fax: 022-6752 5858
Website: www.Larsentoubro.com

ELECTRICAL STANDARD PRODUCTS (ESP)

501, Sakar Complex I
Opp. Gandhigram Rly. Station
Ashram Road
Ahmedabad 380 009
Tel: 079-66304007-11
Fax: 079-26580491
e-mail: esp-ahm@LNTEBG.com

38, Cubbon Road, Post Box 5098
Bangalore 560 001
Tel: 080-25020100, 25593613
Fax: 080-25580525
e-mail: esp-blr@LNTEBG.com

131/1, Zone II
Maharana Pratap Nagar
Bhopal 462 011
Tel: 0755-4233906, 4233907
Fax: 0755-2769264
e-mail: esp-bho@LNTEBG.com

Plot No. 559, Annapurna Complex
Lewis Road
Bhubaneswar 751 014
Tel: 0674-6451342, 2436696
Fax: 0674-2537309
e-mail: esp-bbi@LNTEBG.com

SCO 32, Sector 26-D
Madhya Marg, P. O. Box 14
Chandigarh 160 026
Tel: 0172-4646841 to 7
Fax: 0172-4646802
e-mail: esp-chd@LNTEBG.com

10, Club House Road
Chennai 600 002
Tel: 044-28462072 / 4 / 5
Fax: 044-28462102
e-mail: esp-maa@LNTEBG.com

67, Appuswamy Road
Post Bag 7156
Opp. Nirmala College
Coimbatore 641 045
Tel: 0422-2588120 / 1 / 5
Fax: 0422-2588148
e-mail: esp-cbe@LNTEBG.com

L&T House, Group MIG - 5
Padmanabhpur
Durg 491 001
Tel: 0788-2213833 / 14 / 28 / 29
Fax: 0788-2213820

A1/11, Astronauts Avenue
Bidhan Nagar
Durgapur 713 212
Tel: 0343-2536891 / 8952 / 7844
Fax: 0343-2536493
e-mail: esp-dgp@LNTEBG.com

Milanpur Road, Bamuni Maidan
Guwahati 781 021
Tel: 0361-2651297
Fax: 0361-2551308
e-mail: esp-gau@LNTEBG.com

II Floor, Vasantha Chambers
5-10- 173, Fateh Maidan Road
Hyderabad 500004
Tel: 040-66720250
Fax: 040-23296468
e-mail: esp-hyd@LNTEBG.com

D-24, Prithvi Raj Road, C-Scheme
Jaipur 302 001
Tel: 0141-2385913 / 19
Fax: 0141-2373280
e-mail: esp-jai@LNTEBG.com

Akashdeep Plaza, 2nd Floor
P. O. Golmuri
Jamshedpur 831 003
Jharkhand
Tel: 0657-2340864
Fax: 0657-2341250
e-mail: esp-jam@LNTEBG.com

Skybright Bldg. M. G. Road
Ravipuram Junction, Ernakulam
Kochi 682 016
Tel: 0484-4409420 / 427
Fax: 0484-4409426
e-mail: esp-cok@LNTEBG.com

3-B, Shakespeare Sarani
Kolkata 700 071
Tel: 033-44002572 / 3 / 4
Fax: 033-22822589
e-mail: esp-ccu@LNTEBG.com

A28, Indira Nagar, Faizabad Road
Uttar Pradesh,
Lucknow 226 016
Tel: 0522-2312904 / 5 / 6
Fax: 0522-2311671
e-mail: esp-Lko@LNTEBG.com

Plot No. 518
4th Main Road
K. K. Nagar
Madurai 625 020
Tel: 0452-2537404, 2521068
Fax: 0452-2537552
e-mail: esp-mdu@LNTEBG.com

EBG North Wing Office - 2
Powai Campus
Mumbai 400 072
Tel: 022-67052874 / 2737 / 1156
Fax: 022-67051112
e-mail: esp-bom@LNTEBG.com

#12, Shivaji Nagar
North Ambazari Road
Nagpur 440 010
Tel: 0712- 2249774 / 75
Fax: 0712- 2249635 / 36
e-mail: esp-nag@LNTEBG.com

32, Shivaji Marg
P. O. Box 6223
New Delhi 110 015
Tel: 011-41419500 / 1, 41419515
Fax: 011-41419600
e-mail: esp-del@LNTEBG.com

L&T House
P. O. Box 119
191/1, Dhole Patil Road
Pune 411 001
Tel: 020-26135048, 26135611
Fax: 020-26129586, 26124910
e-mail: esp-pnq@LNTEBG.com

3rd Floor
Vishwakarma Chambers
Majura Gate, Ring Road
Surat 395 002
Tel: 0261-2473726
Fax: 0261-2477078
e-mail: esp-sur@LNTEBG.com

Radhadaya Complex
Old Padra Road
Near Charotar Society
Vadodara 390 015
Tel: 0265-6613610 / 11 / 12
Fax: 0265-2336184
e-mail: esp-bar@LNTEBG.com

48-8-16, Dwarakanagar
Visakhapatnam 530 016
Tel: 0891-6620411-4
Fax: 0891-6620416
e-mail: esp-viz@LNTEBG.com

Product improvement is a continuous process. For the latest information and special applications, please contact any of our offices listed here.



Electrical Standard Products
Larsen & Toubro Limited
Powai Campus, Mumbai 400 072
Customer Interaction Center (CIC)
BSNL / MTNL (toll free) : 1800 233 5858
Reliance (toll free) : 1800 200 5858
Tel : 022 6774 5858
Fax : 022 6774 5859
E-mail : cic@LNTEBG.com
Website : www.LNTEBG.com

